

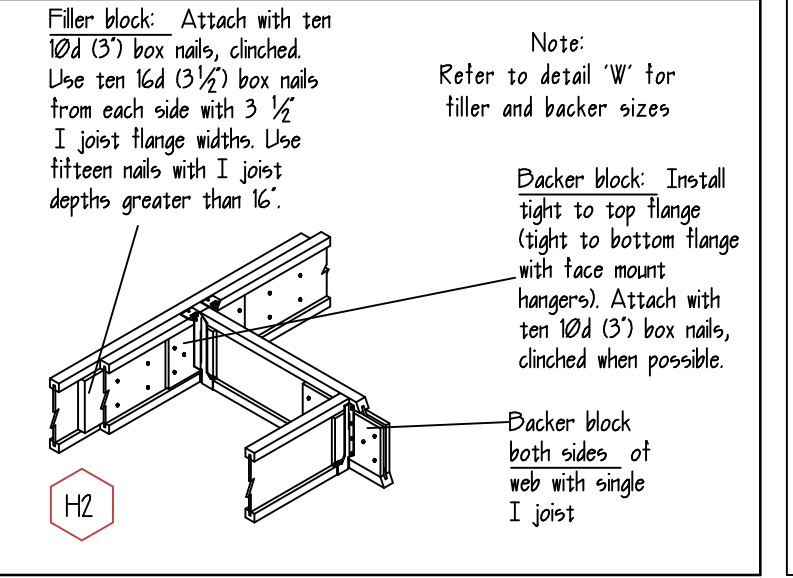
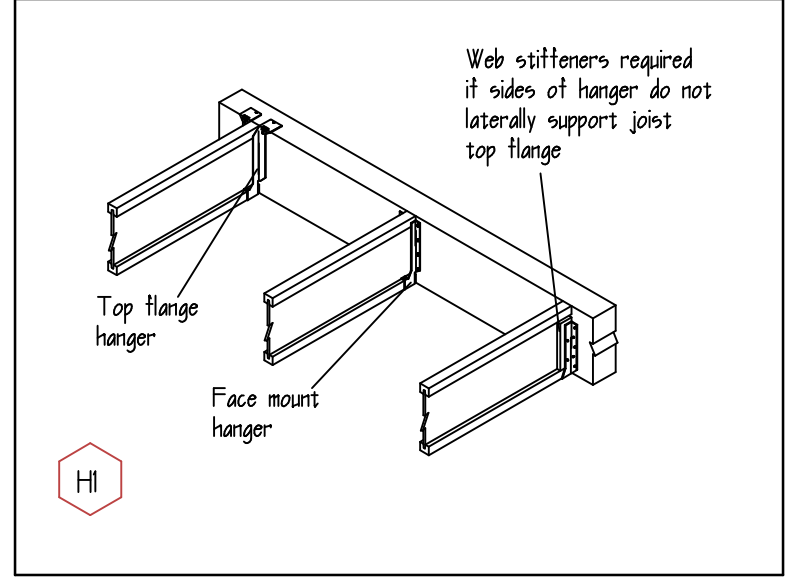
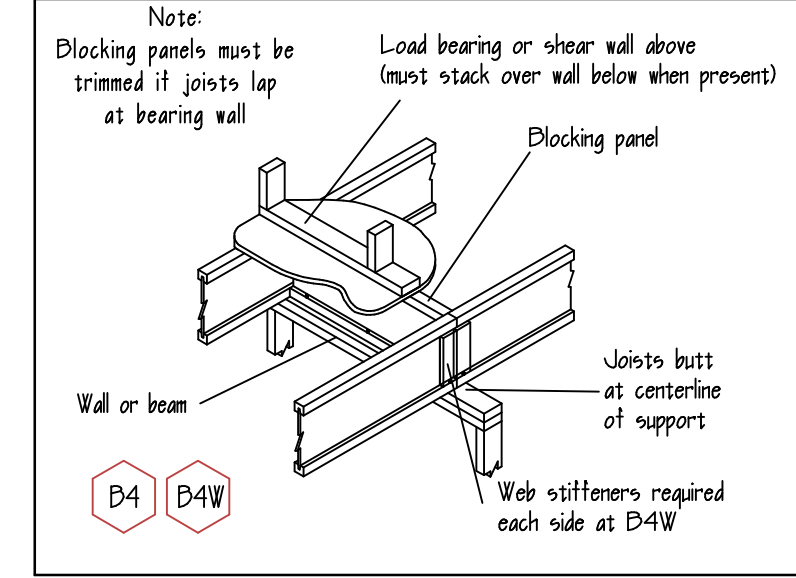
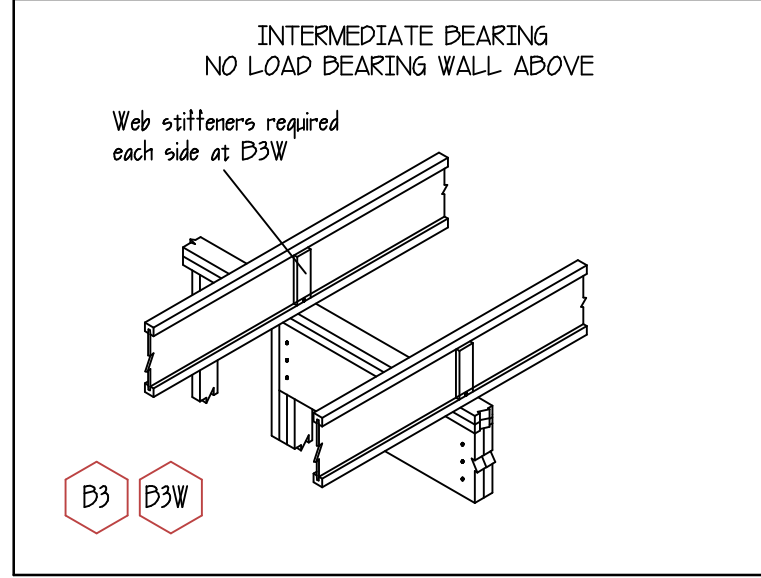
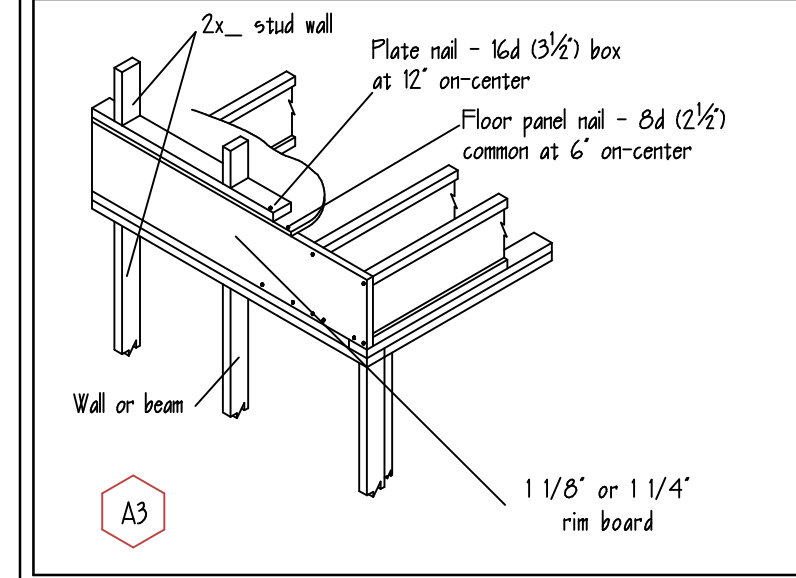
ALL JOISTS SHOWN ON PLAN ARE  
14' LPI20's @ 16' o.c.

● DENOTES PLUMBING PENETRATION THRU FLOOR DECKING. THESE ARE SHOWN AS A LAYOUT GUIDE ONLY. FRAMER SHOULD REFER TO THE 'P' SHEETS OF THE ARCHITECTURAL'S FOR EXACT LOCATIONS. SSI IS NOT RESPONSIBLE FOR THE ACCURACY OF THESE LOCATIONS DUE TO THE VARIETY OF STYLES OF GARDEN TUBS AND SHOWERS, THESE DROPS MAY NOT BE INDICATED.

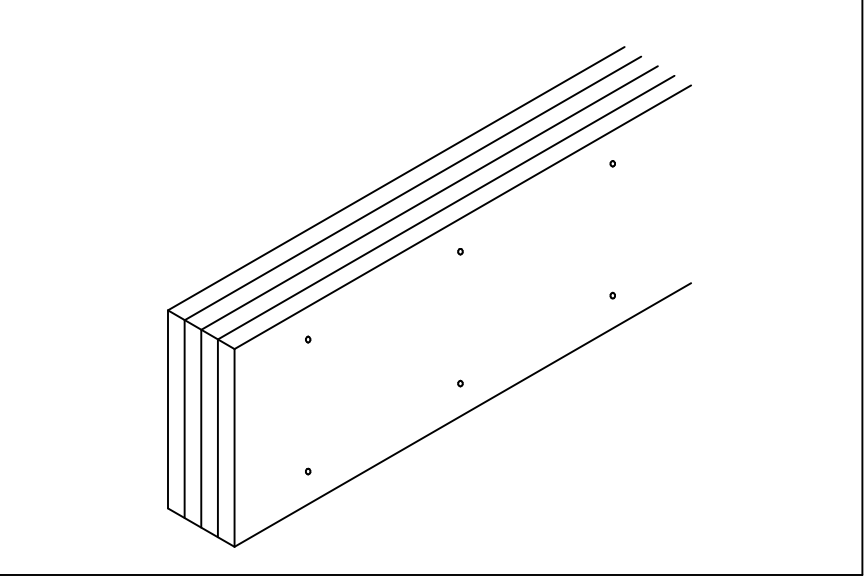
**FILLER and BACKER BLOCK SIZES**

Flange Width	2 1/4'		3 1/4'	
Depth	9 1/2" or 11 7/8"	14" or 16"	18" or 20"	11 7/8" or 14" or 16" or 20"
Filler Block* (Detail H2)	2x6 + 1/2 sheathing	2x8 + 1/2 sheathing	2x12 + 1/2 sheathing	Two 2x6 Two 2x8 Two 2x12
Cantilever Filler (Detail E-4)	2x6 + 1/2 sheathing 4'-0" long	2x10 + 1/2 sheathing 6'-0" long	Not applicable	Not applicable
Backer Block* (Detail F1 or H2)	1" Net		2x6	2x8

\* If necessary, increase filler and backer block height for face mount hangers. Maintain 8" gap at top of joist; see detail W. Filler and backer block lengths should accommodate required nailing without splitting. (2" minimum for backer blocks and 2 1/4" minimum for filler blocks).



**NOTE**  
4 PLY BEAM MUST BE SCREWED TOGETHER W/ 2 ROWS OF 6 3/4\"/>



UNIT 'A'  
SECOND FLOOR FRAMING PLAN  
SCALE: 1/4" = 1'-0"

UNIT 'A'  
SECOND FLOOR FRAMING PLAN  
SCALE: 1/4" = 1'-0"

1 REVISIONS 09-20-22

**APPROVED FOR CONSTRUCTION 10-21-22**  
Robert Usery Architect

REFER TO PRODUCT INSTALLATION GUIDES FOR GENERAL INFORMATION

**IMPORTANT - PLEASE READ FIRST!**

THESE LAYOUT PLANS ARE PROVIDED STRICTLY TO AID IN THE PLACEMENT OF PRODUCTS SUPPLIED BY EAST COAST STRUCTURES. PRODUCTS SPECIFIED ON THESE PLANS CAN NOT BE SUBSTITUTED AS SYSTEM FAILURE MAY RESULT. EAST COAST STRUCTURES DOES NOT ASSUME LIABILITY FOR THE ADEQUACY OF THE SUPPORTING STRUCTURE OR ANY PRODUCTS NOT SUPPLIED BY EAST COAST STRUCTURES.

**DRAWING LEGEND**

- WALL BELOW
- BEAM OR GIRDER
- JOIST
- WALL ABOVE
- RIM BOARD
- POINT LOAD FROM ABOVE
- PLUMBING DROP

**PRODUCT ABBREVIATIONS**

- LVL DENOTES 1-3/4" 20E MIN LAMINATED VENEER LDR
- L-5L DENOTES 155E TIMBERSTRAND LAMINATED STRAND LUMBER
- P5L DENOTES 20E PARALLAM PARALLEL STRAND LUMBER
- P5D DENOTES 24F-V4 5YP GULLAM BEAM

**GENERAL NOTES**

- LENGTHS SHOWN ARE SHIPPING LENGTHS AND MUST BE TRIMMED ON JOBSITE.
- SHIFT JOISTS 3 INCH MAX. TO AVOID PLUMBING DROPS.
- ANY MATERIAL NOT SPECIFIED IS TO BE BY OTHERS.

**DESIGN LOADS (UNLESS NOTED OTHERWISE)**

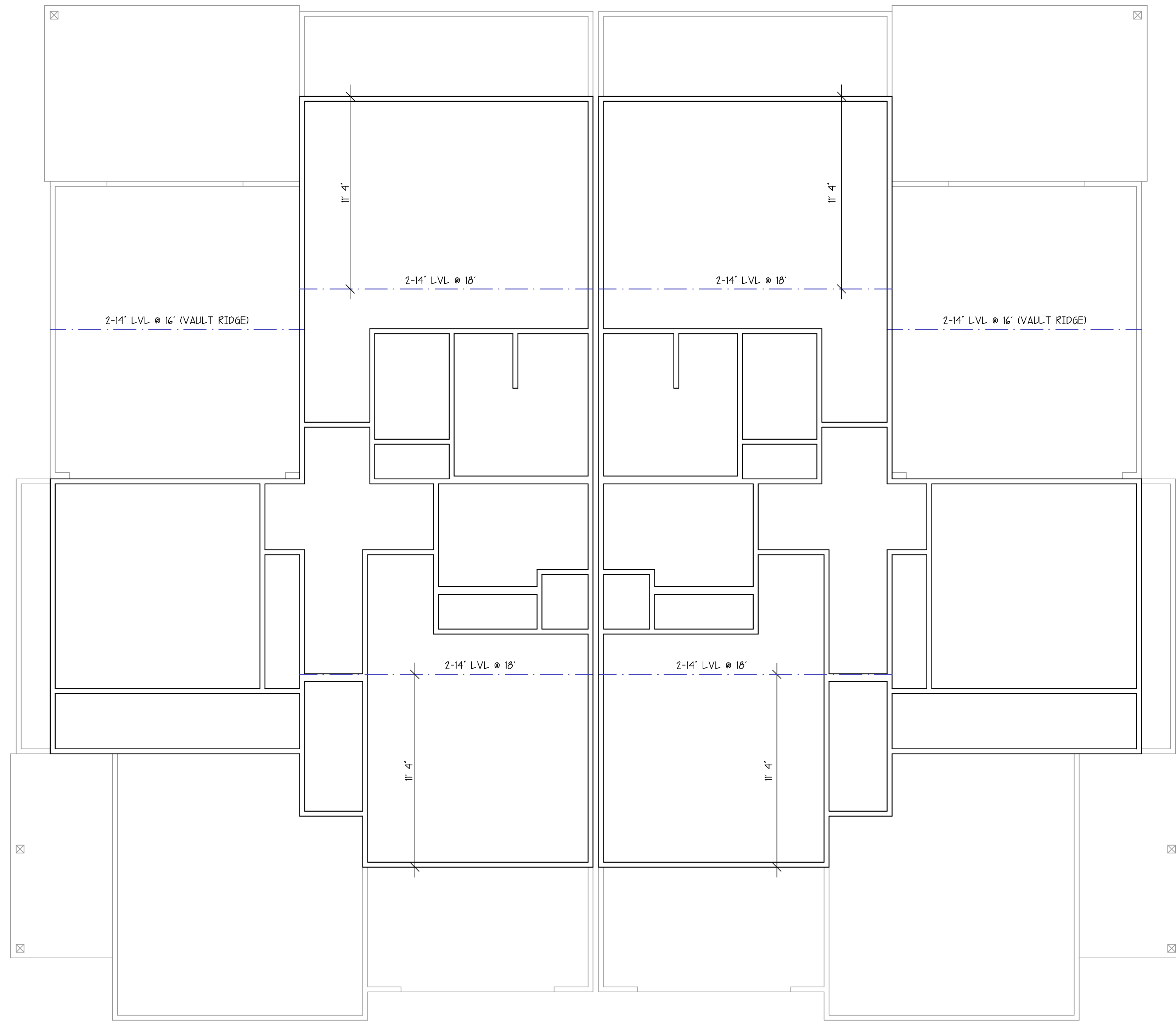
LIVE LOAD 40 P5F  
PARTN LOAD P5F  
DEAD LOAD 15 P5F  
TOTAL LOAD 55 P5F

**JOB NAME:** FIFTY OAKS - BUILDING 5  
**LOCATION:** SOUTH HARRINGTON ROAD

TRADEMARKS ARE THE PROPERTY OF THEIR RESPECTIVE MANUFACTURERS

**ECS** EAST COAST STRUCTURES  
BRUNSWICK, GA.  
1-912-264-1062

**DRAWN BY:** RF  
**DATE:** 08-30-22  
**SHT OF:** 1 2



UNIT 'A'  
ROOF BEAM PLAN  
SCALE: 1/4" = 1'-0"

UNIT 'A'  
ROOF BEAM PLAN  
SCALE: 1/4" = 1'-0"

1 REVISIONS 09-20-22

APPROVED FOR CONSTRUCTION 10-21-22  
Robert Ussery Architect

REFER TO PRODUCT INSTALLATION GUIDES FOR GENERAL INFORMATION

**IMPORTANT - PLEASE READ FIRST**  
THESE LAYOUT PLANS ARE PROVIDED STRICTLY TO AID IN THE PLACEMENT OF PRODUCTS SUPPLIED BY EAST COAST STRUCTURES. PRODUCTS SPECIFIED ON THESE PLANS CAN NOT BE SUBSTITUTED AS SYSTEM FAILURE MAY RESULT. EAST COAST STRUCTURES DOES NOT ASSUME LIABILITY FOR THE ADEQUACY OF THE SUPPORTING STRUCTURE OR ANY PRODUCTS NOT SUPPLIED BY EAST COAST STRUCTURES.

DRAWING LEGEND	PRODUCT ABBREVIATIONS
— WALL BELOW	LVL DENOTES 1-3/4" 20E MDL LAMINATED VENEER LDR
— BEAM OR GIRDER	L-GL DENOTES 155E TIMBERSTRAND LAMINATED STRAND LUMBER
— JOIST	P-GL DENOTES 20E PARALLAM PARALLEL STRAND LUMBER
— WALL ABOVE	GLD DENOTES 24F-V4 5YP GULLAM BEAM
— RIM BOARD	
■ POINT LOAD FROM ABOVE	
● PLUMBING DROP	

**GENERAL NOTES**  
1. LENGTHS SHOWN ARE SHIPPING LENGTHS AND MUST BE TRIMMED ON JOBSITE.  
2. SHIFT JOISTS 3 INCH MAX. TO AVOID PLUMBING DROPS.  
3. ANY MATERIAL NOT SPECIFIED IS TO BE BY OTHERS.

DESIGN LOADS (UNLESS NOTED OTHERWISE)	JOB NAME: FIFTY OAKS - BUILDING 5
STRESS _____ %	LOCATION: SOUTH HARRINGTON ROAD
LIVE LOAD _____ P5F	TRADEMARKS ARE THE PROPERTY OF THEIR RESPECTIVE MANUFACTURERS
PARTN LOAD _____ P5F	<b>ECS</b> EAST COAST STRUCTURES
DEAD LOAD _____ P5F	BRUNSWICK, GA.
TOTAL LOAD _____ P5F	1-912-264-1062
	DRAWN BY RF DATE: 08-30-22
	SHT 2 OF 2