

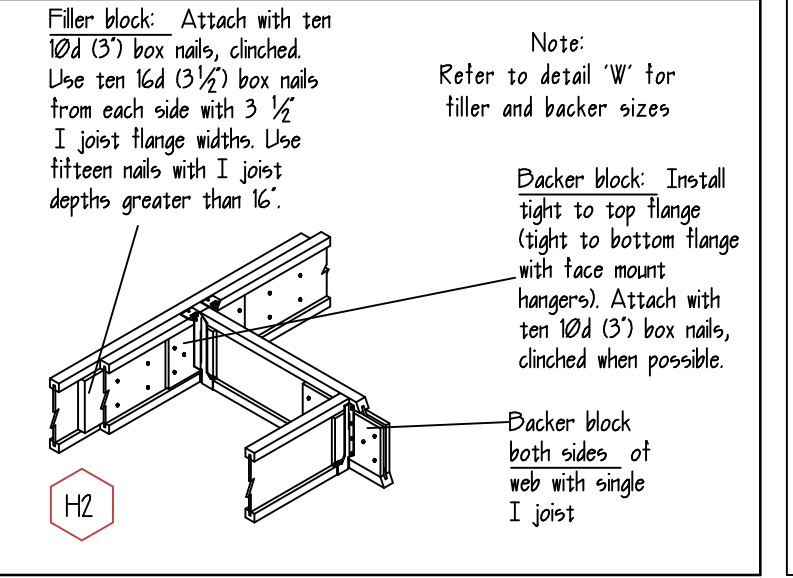
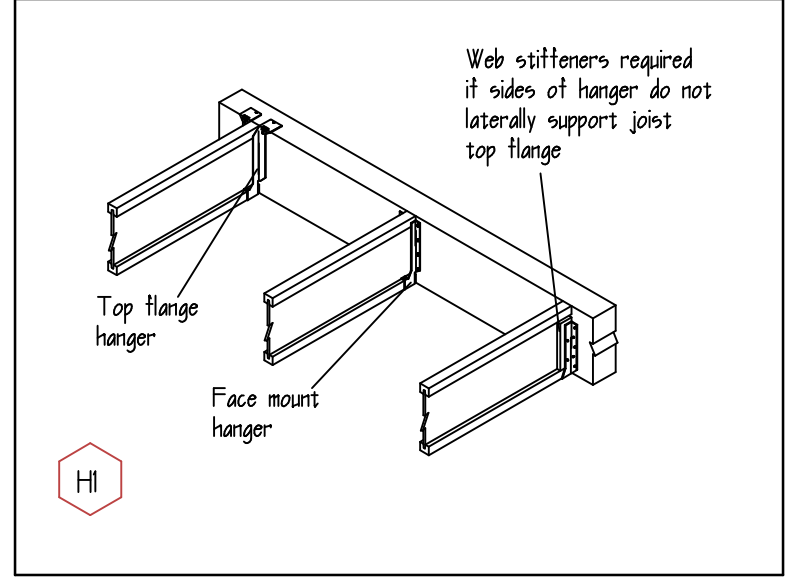
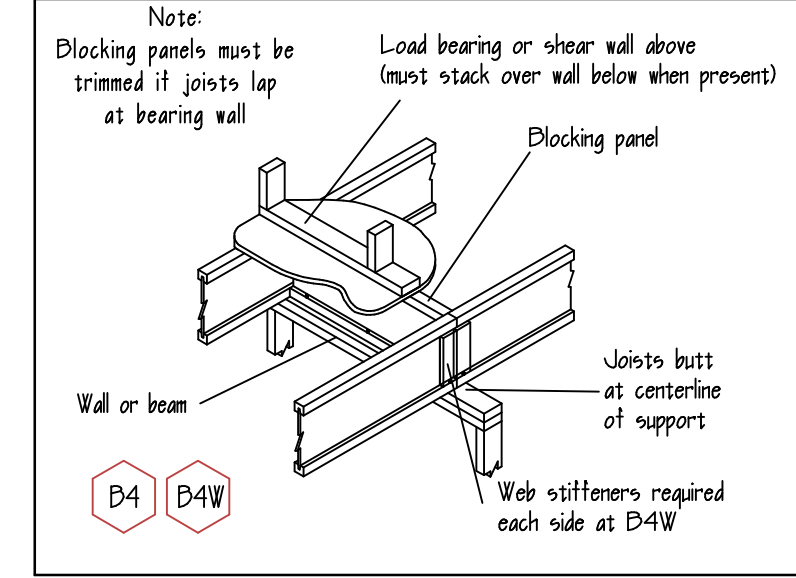
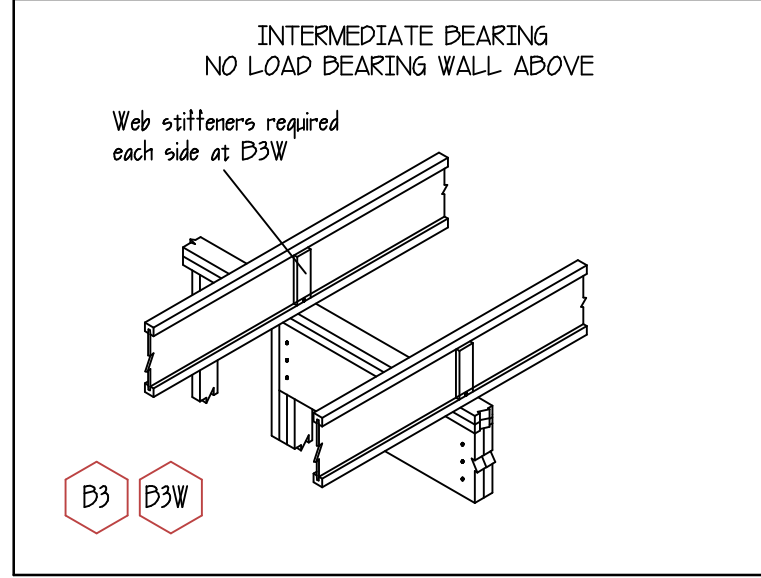
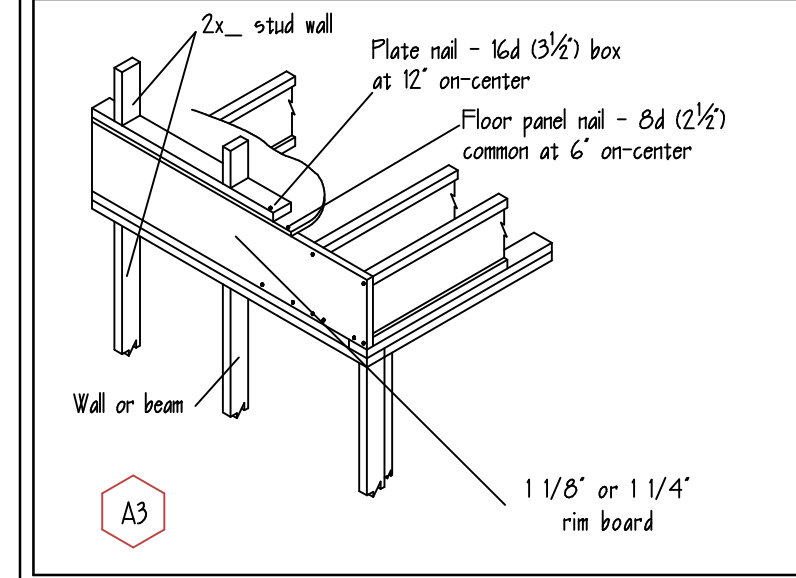
ALL JOISTS SHOWN ON PLAN ARE 14' LPI20'S @ 16' o.c.

● DENOTES PLUMBING PENETRATION THRU FLOOR DECKING THESE ARE SHOWN AS A LAYOUT GUIDE ONLY. FRAMER SHOULD REFER TO THE 'P' SHEETS OF THE ARCHITECTURAL'S FOR EXACT LOCATIONS. SSC IS NOT RESPONSIBLE FOR THE ACCURACY OF THESE LOCATIONS DUE TO THE VARIETY OF STYLES OF GARDEN TUBS AND SHOWERS, THESE DROPS MAY NOT BE INDICATED.

FILLER and BACKER BLOCK SIZES

Flange Width	2 1/4'	3 1/4'
Depth	9 1/4" or 11 7/8"	14" or 16"
Filler Block* (Detail H2)	2x6 + 1/2" sheathing	2x12 + 1/2" sheathing
Cantilever Filler (Detail E-4)	2x6 + 1/2" sheathing 4'-0" long	2x10 + 1/2" sheathing 6'-0" long
Backer Block* (Detail F1 or H2)	1" Net	2x6 2x8 2x12

* If necessary, increase filler and backer block height for face mount hangers. Maintain 8" gap at top of joist; see detail W. Filler and backer block lengths should accommodate required nailing without splitting. (2" minimum for backer blocks and 2 1/4" minimum for filler blocks).



NOTE
4 PLY BEAM MUST BE SCREWED TOGETHER W/ 2 ROWS OF 6 3/4" SIMPSON SDW SCREWS @ 16" o.c. ON ONE SIDE OF BEAM PER MANUFACTURER'S INSTALLATION INSTRUCTIONS. THESE SCREWS ARE INCLUDED IN THIS PACKAGE.

1 REVISIONS @ 9-20-22

APPROVED FOR CONSTRUCTION 10-21-22
Robert Ussery Architect

REFER TO PRODUCT INSTALLATION GUIDES FOR GENERAL INFORMATION

IMPORTANT - PLEASE READ FIRST!
THESE LAYOUT PLANS ARE PROVIDED STRICTLY TO AID IN THE PLACEMENT OF PRODUCTS SUPPLIED BY EAST COAST STRUCTURES. PRODUCTS SPECIFIED ON THESE PLANS CAN NOT BE SUBSTITUTED AS SYSTEM FAILURE MAY RESULT. EAST COAST STRUCTURES DOES NOT ASSUME LIABILITY FOR THE ADEQUACY OF THE SUPPORTING STRUCTURE OR ANY PRODUCTS NOT SUPPLIED BY EAST COAST STRUCTURES.

PRODUCT ABBREVIATIONS
LVL DENOTES 1 3/4" 2.0E MDL LAMINATED VENEER LDR
L-5L DENOTES 1.55E TIMBERSTRAND LAMINATED STRAND LUMBER
P-5L DENOTES 2.0E PARALLAM PARALLEL STRAND LUMBER
GLD DENOTES 2.4F-V4 5YP GULLAM BEAM

GENERAL NOTES
1. LENGTHS SHOWN ARE SHIPPING LENGTHS AND MUST BE TRIMMED ON JOBSITE.
2. SHIFT JOISTS 3 INCH MAX. TO AVOID PLUMBING DROPS.
3. ANY MATERIAL NOT SPECIFIED IS TO BE BY OTHERS.

DESIGN LOADS (UNLESS NOTED OTHERWISE)
LIVE LOAD 40 PSF
PARTN LOAD 15 PSF
DEAD LOAD 15 PSF
TOTAL LOAD 55 PSF

JOB NAME: FIFTY OAKS - BUILDING 4
LOCATION: SOUTH HARRINGTON ROAD
TRADEMARKS ARE THE PROPERTY OF THEIR RESPECTIVE MANUFACTURERS



EAST COAST STRUCTURES
BRUNSWICK, GA.
1-912-264-1062

DRAWN BY: RF DATE: 08-30-22 SHEET 1 OF 2



UNIT 'C'
ROOF BEAM PLAN
SCALE: 1/4" = 1'-0"

UNIT 'B'
ROOF BEAM PLAN
SCALE: 1/4" = 1'-0"

UNIT 'A'
ROOF BEAM PLAN
SCALE: 1/4" = 1'-0"

APPROVED FOR CONSTRUCTION 10-21-22
Robert Ussery Architect

REFER TO PRODUCT INSTALLATION GUIDES FOR GENERAL INFORMATION

IMPORTANT - PLEASE READ FIRST!
THESE LAYOUT PLANS ARE PROVIDED STRICTLY TO AID IN THE PLACEMENT OF PRODUCTS SUPPLIED BY EAST COAST STRUCTURES. PRODUCTS SPECIFIED ON THESE PLANS CAN NOT BE SUBSTITUTED AS SYSTEM FAILURE MAY RESULT. EAST COAST STRUCTURES DOES NOT ASSUME LIABILITY FOR THE ADEQUACY OF THE SUPPORTING STRUCTURE OR ANY PRODUCTS NOT SUPPLIED BY EAST COAST STRUCTURES.

DRAWING LEGEND	PRODUCT ABBREVIATIONS
--- WALL BELOW	LVL DENOTES 1-3/4" 2#E MDL LAMINATED VENEER LBR
--- BEAM OR GIRDER	L-5L DENOTES 155E TIMBERSTRAND LAMINATED STRAND LUMBER
--- JOIST	P-5L DENOTES 2#E PARALLAM PARALLEL STRAND LUMBER
--- WALL ABOVE	GLD DENOTES 24F-V4 5YP GULLAM BEAM
--- RIM BOARD	
■ POINT LOAD FROM ABOVE	
● PLUMBING DROP	

- GENERAL NOTES**
- LENGTHS SHOWN ARE SHIPPING LENGTHS AND MUST BE TRIMMED ON JOBSITE.
 - SHIFT JOISTS 3 INCH MAX. TO AVOID PLUMBING DROPS.
 - ANY MATERIAL NOT SPECIFIED IS TO BE BY OTHERS.

DESIGN LOADS (UNLESS NOTED OTHERWISE)	JOB NAME: FIFTY OAKS - BUILDING 4
	LOCATION: SOUTH HARRINGTON ROAD
	TRADEMARKS ARE THE PROPERTY OF THEIR RESPECTIVE MANUFACTURERS
	ECS EAST COAST STRUCTURES BRUNSWICK, GA. 1-912-264-1062
STRESS _____ %	DRAWN BY RF
LIVE LOAD _____ P5F	DATE: 08-30-22
PARTN LOAD _____ P5F	SHT 2
DEAD LOAD _____ P5F	OF 2
TOTAL LOAD _____ P5F	

REVISIONS 09-20-22