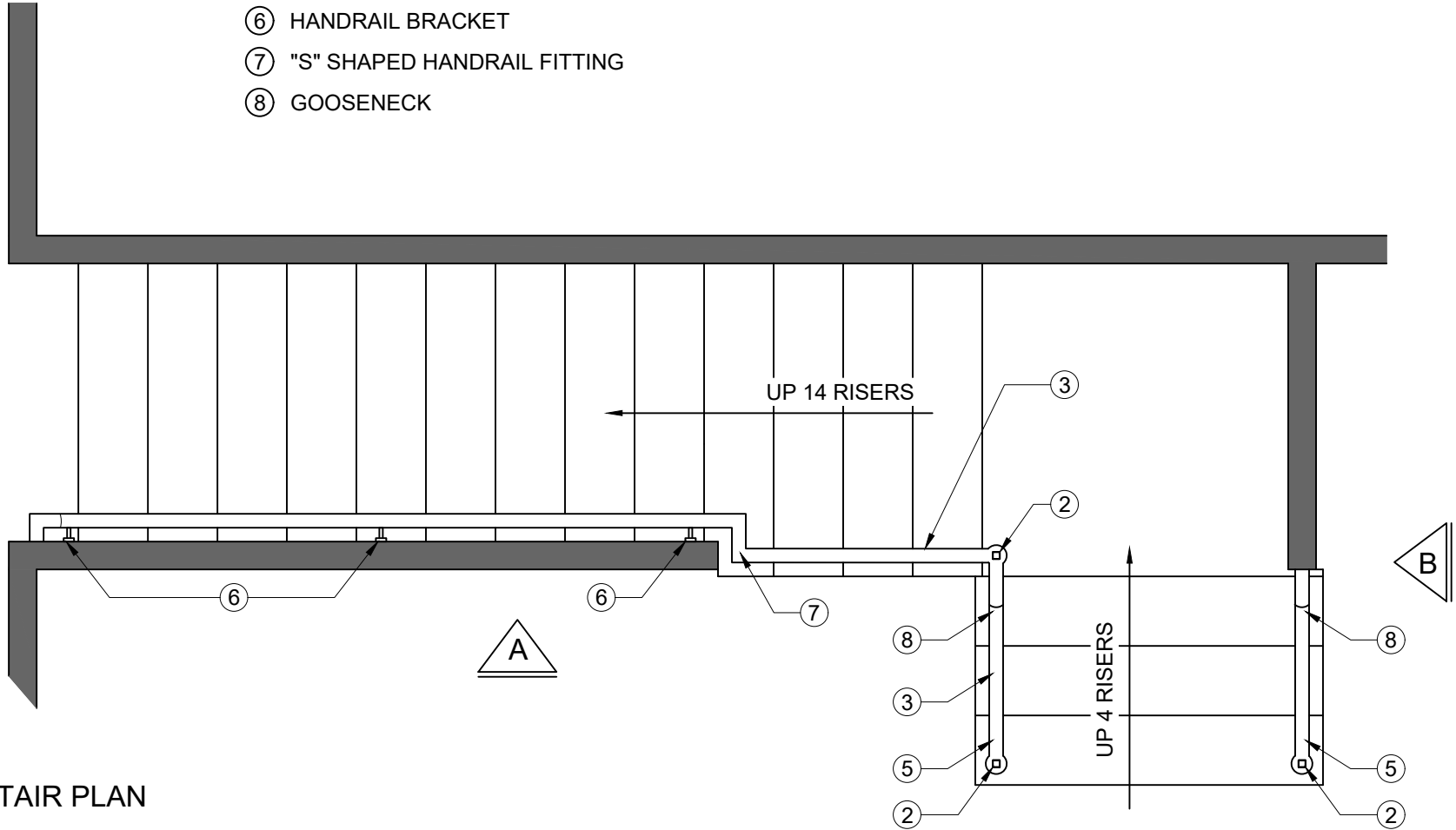
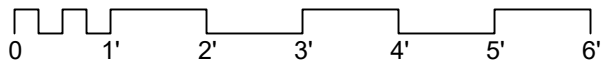


L.J.SMITH STAIR PARTS

- ① BALUSTER: LIH-MGPLA-LSB 3/4" X 3/4"
SPACE EQUALLY- 3 PER TREAD
- ② NEWEL: LIH-NWLPLA-LSB 1 3/16" X 1 3/16"
- ③ HANDRAIL: LJ 6010
- ④ METAL NEWEL SHOE
- ⑤ STARTING EASING
- ⑥ HANDRAIL BRACKET
- ⑦ "S" SHAPED HANDRAIL FITTING
- ⑧ GOOSENECK



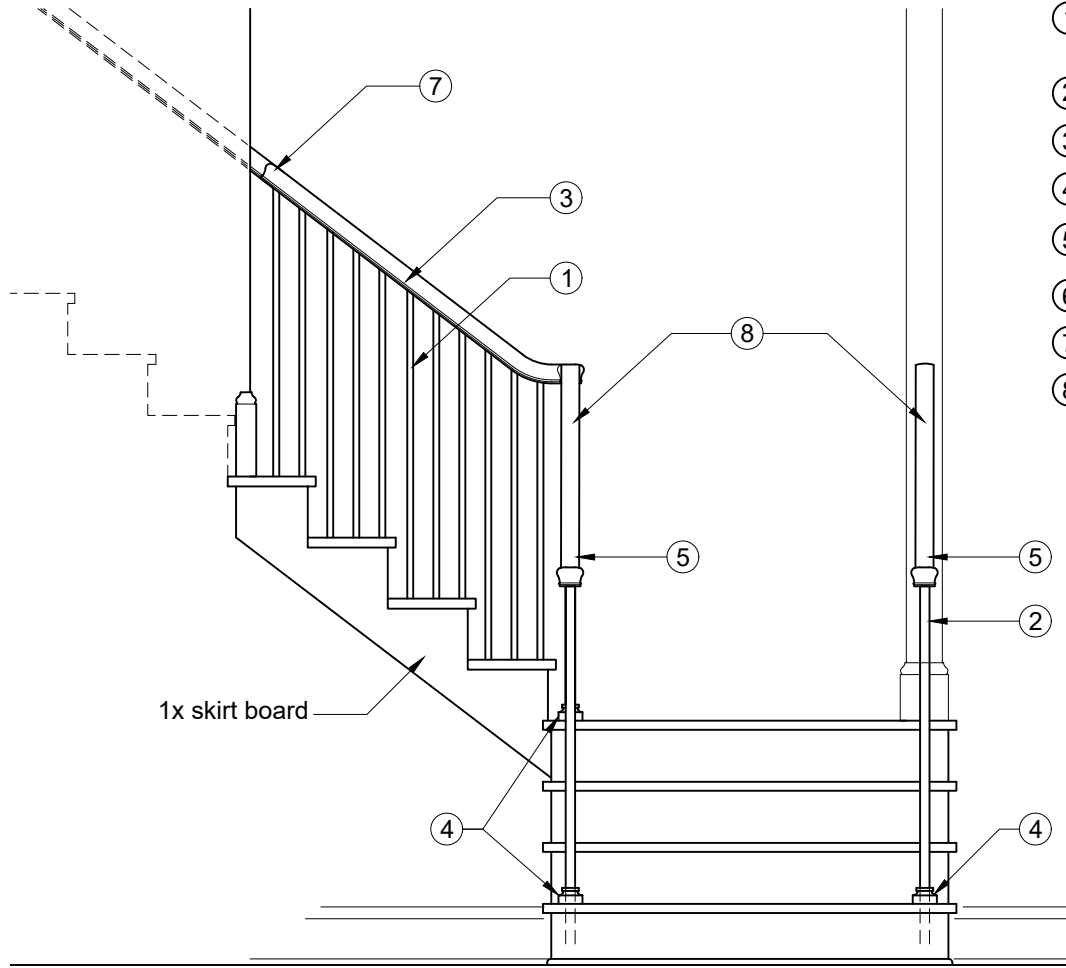
STAIR PLAN



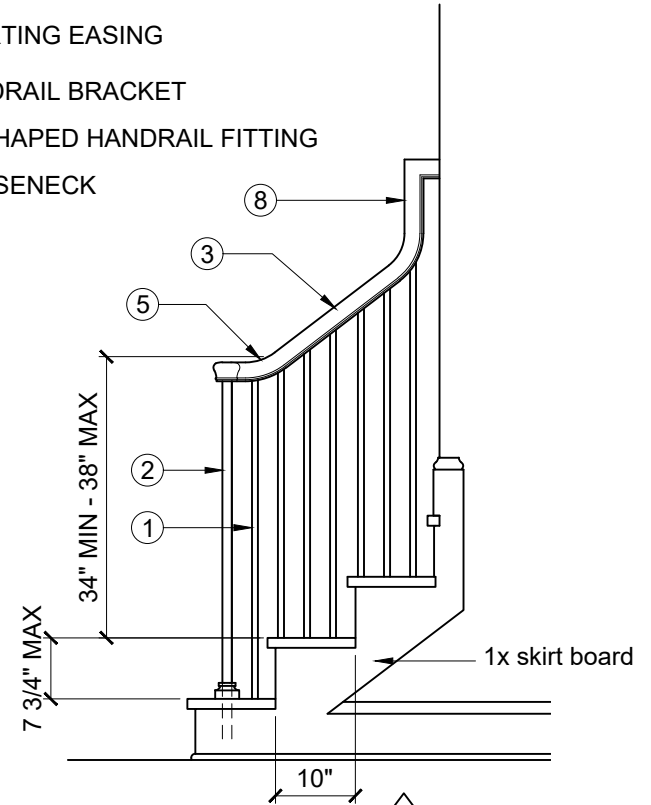
50 OAKS UNIT A STAIRS

L.J.SMITH STAIR PARTS

- ① BALUSTER: LIH-MGPLA-LSB 3/4" X 3/4"
SPACE EQUALLY- 3 PER TREAD
- ② NEWEL: LIH-NWLPLA-LSB 1 3/16" X 1 3/16"
- ③ HANDRAIL: LJ 6010
- ④ METAL NEWEL SHOE
- ⑤ STARTING EASING
- ⑥ HANDRAIL BRACKET
- ⑦ "S" SHAPED HANDRAIL FITTING
- ⑧ GOOSENECK

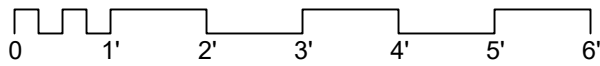


A



B

STAIR ELEVATIONS



50 OAKS UNIT A STAIRS

NOTES:

- STAIR TREADS ARE VINYL WITH INTEGRAL NOSING TO MATCH FLOORING.
- RISERS ARE 1X WOOD PAINTED
- HANDRAIL STAINED AS DIRECTED
- METAL PARTS ARE TO BE PAINTED AS DIRECTED