

**FILLER and BACKER BLOCK SIZES**

Flange Width	2 1/2"	3 1/2"
Depth	1 1/2" or 1 7/8"	1 1/2" or 1 7/8"
Filler Block* (Detail H2)	2x6 + 1/2 sheathing	2x6 + 1/2 sheathing
Backer Block* (Detail F1 or H2)	1" Net	2x6 2x6 2x12

**UNIT 'A'**  
SECOND FLOOR FRAMING PLAN  
SCALE: 1/4" = 1'-0"

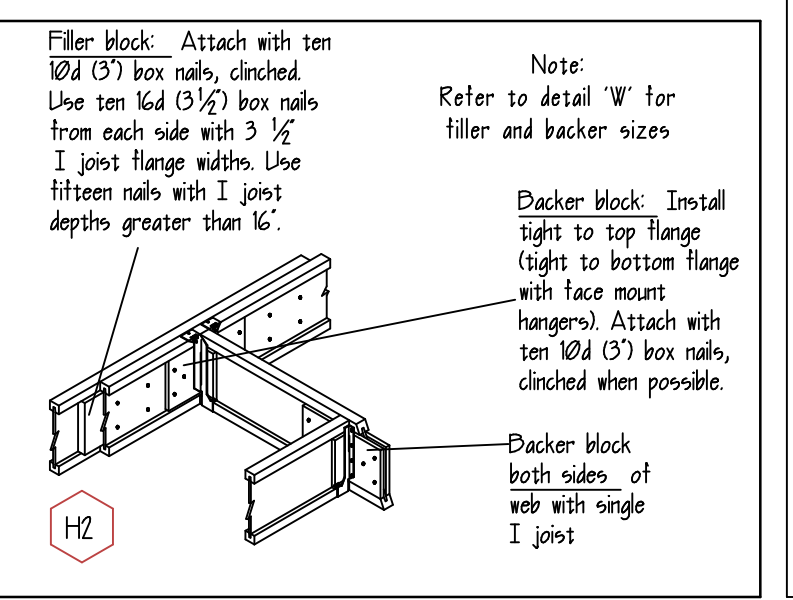
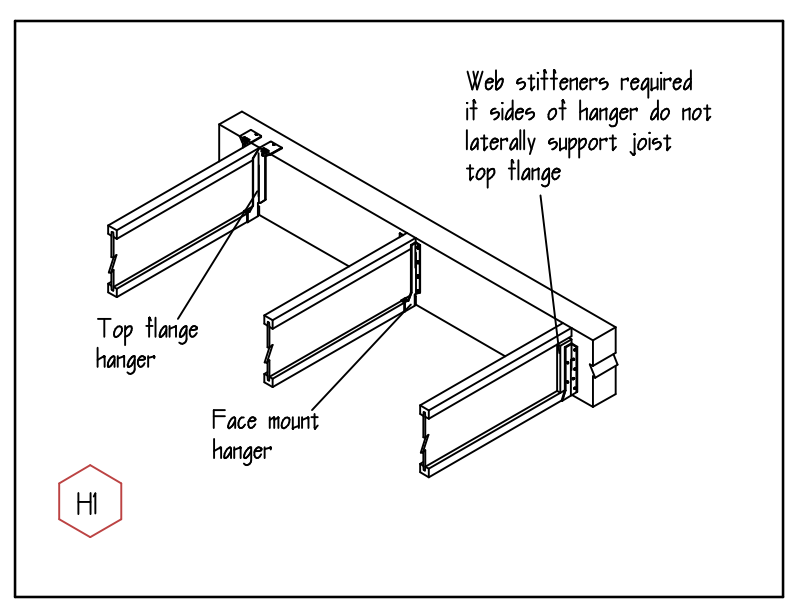
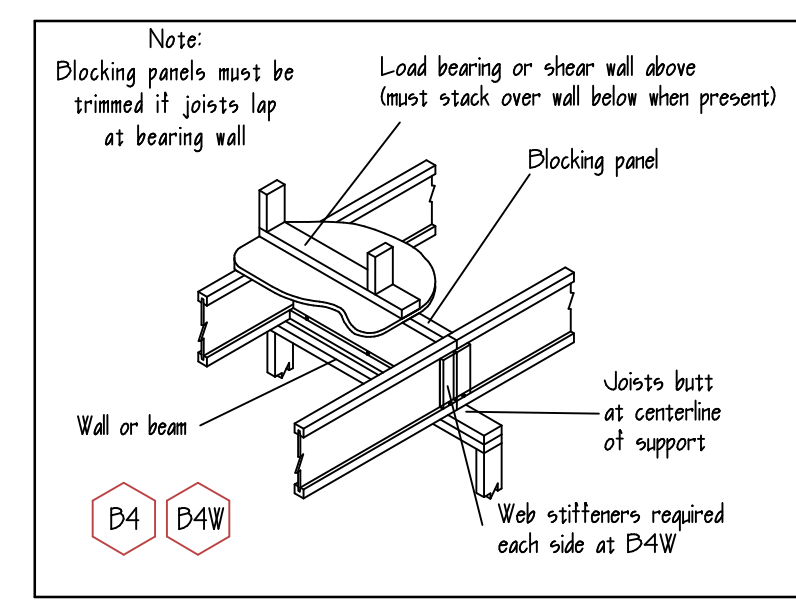
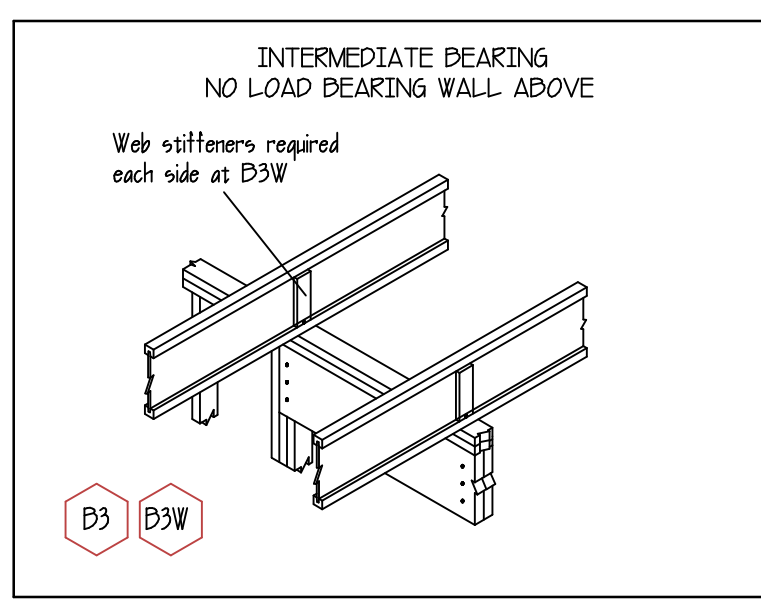
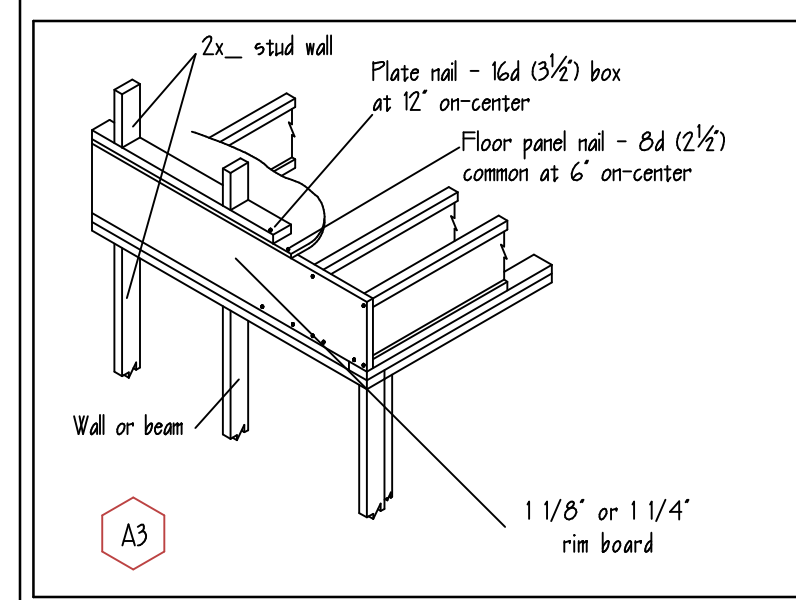
ALL JOISTS SHOWN ON PLAN ARE 14' LPI20's @ 16' o.c.

**UNIT 'B'**  
SECOND FLOOR FRAMING PLAN  
SCALE: 1/4" = 1'-0"

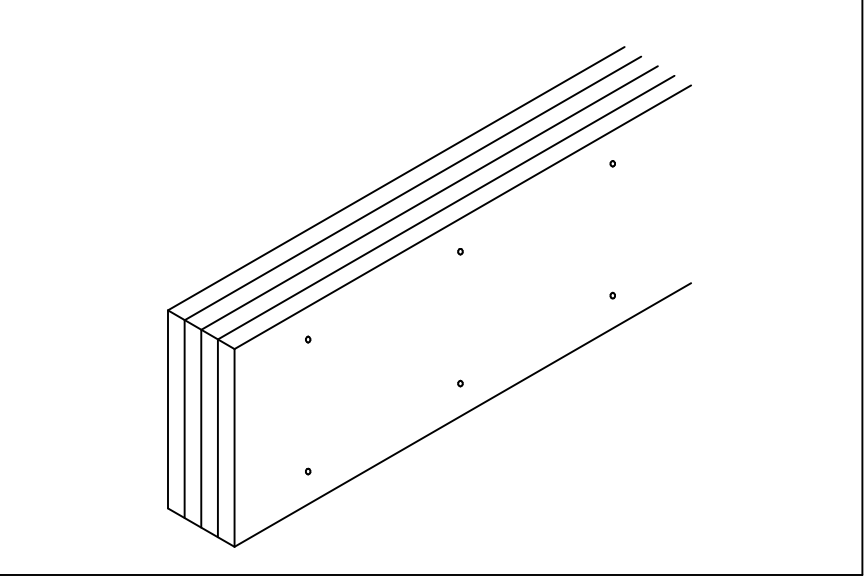
**UNIT 'C'**  
SECOND FLOOR FRAMING PLAN  
SCALE: 1/4" = 1'-0"

**UNIT 'A'**  
SECOND FLOOR FRAMING PLAN  
SCALE: 1/4" = 1'-0"

\* If necessary, increase filler and backer block height for face mount hangers. Maintain 8" gap at top of joist; see detail W. Filler and backer block lengths should accommodate required nailing without splitting. 12" minimum for backer blocks and 24" minimum for filler blocks.



**NOTE**  
4 PLY BEAM MUST BE SCREWED TOGETHER W/ 2 ROWS OF 6 3/4\"/>



REVISIONS 09-20-22

REFER TO PRODUCT INSTALLATION GUIDES FOR GENERAL INFORMATION

**IMPORTANT - PLEASE READ FIRST!**

THESE LAYOUT PLANS ARE PROVIDED STRICTLY TO AID IN THE PLACEMENT OF PRODUCTS SUPPLIED BY EAST COAST STRUCTURES. PRODUCTS SPECIFIED ON THESE PLANS CAN NOT BE SUBSTITUTED AS SYSTEM FAILURE MAY RESULT. EAST COAST STRUCTURES DOES NOT ASSUME LIABILITY FOR THE ADEQUACY OF THE SUPPORTING STRUCTURE OR ANY PRODUCTS NOT SUPPLIED BY EAST COAST STRUCTURES.

**PRODUCT ABBREVIATIONS**

LVL DENOTES 1-3/4" 2#E MDL LAMINATED VENEER LBR  
 LSL DENOTES 155# TIMBERSTRAND LAMINATED STRAND LUMBER  
 PSL DENOTES 2#E PARALLAM LAMINATED STRAND LUMBER  
 GLD DENOTES 24F-V4 5YP GULLAM BEAM

**GENERAL NOTES**

- LENGTHS SHOWN ARE SHIPPING LENGTHS AND MUST BE TRIMMED ON JOBSITE.
- SHIFT JOISTS 3 INCH MAX. TO AVOID PLUMBING DROPS.
- ANY MATERIAL NOT SPECIFIED IS TO BE BY OTHERS.

DESIGN LOADS (UNLESS NOTED OTHERWISE)

STRESS 100 %  
 LIVE LOAD 40 PSF  
 PARTN LOAD 15 PSF  
 DEAD LOAD 15 PSF  
 TOTAL LOAD 55 PSF

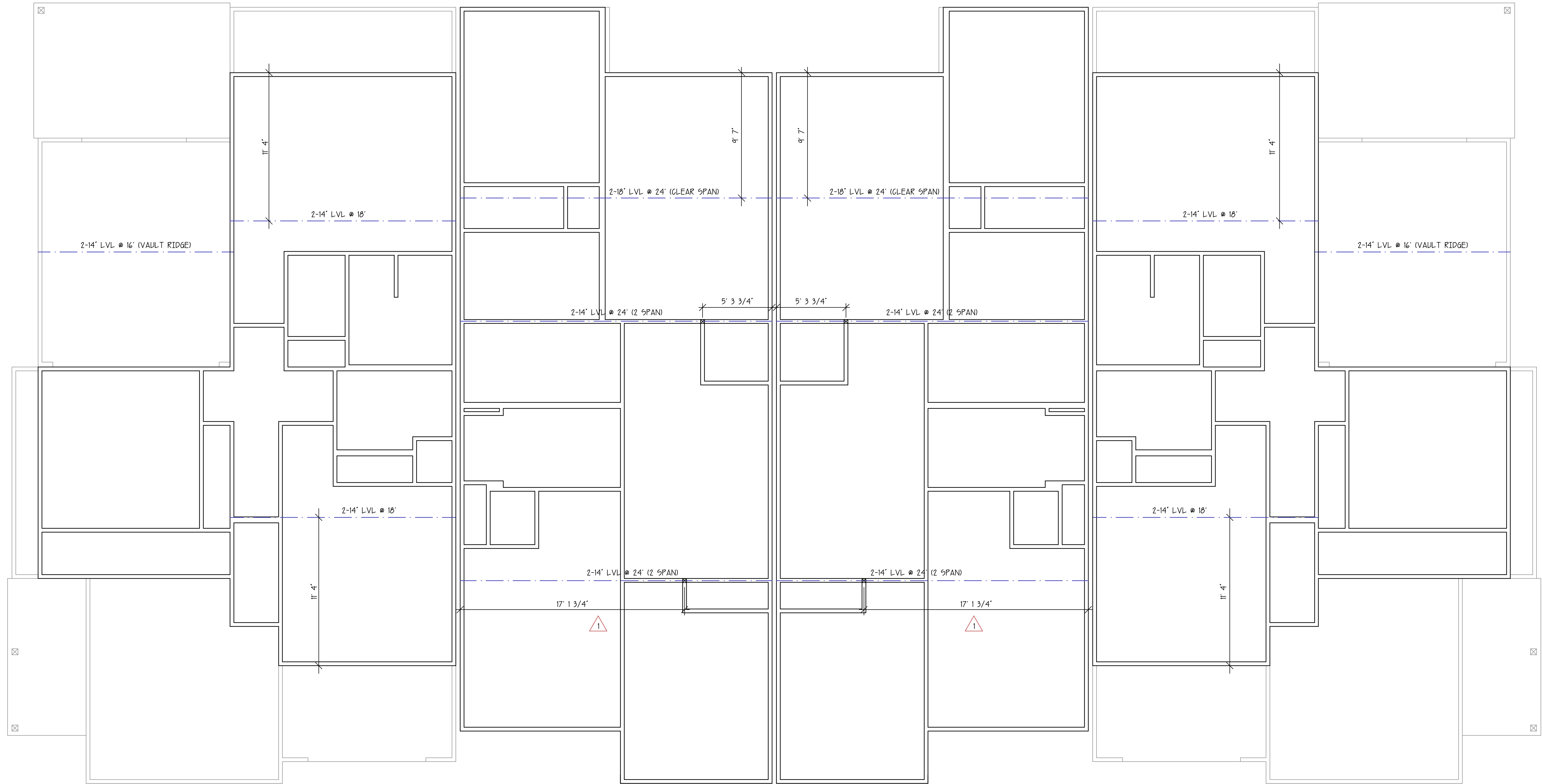
JOB NAME: FIFTY OAKS - BUILDING 12  
 LOCATION: SOUTH HARRINGTON ROAD

TRADEMARKS ARE THE PROPERTY OF THEIR RESPECTIVE MANUFACTURERS

**ECS** EAST COAST STRUCTURES  
 BRUNSWICK, GA.  
 1-912-264-1062

DRAWN BY: RF DATE: 08-30-22

SHT OF: 1 2



UNIT 'A'  
ROOF BEAM PLAN  
SCALE: 1/4" = 1'-0"

UNIT 'B'  
ROOF BEAM PLAN  
SCALE: 1/4" = 1'-0"

UNIT 'B'  
ROOF BEAM PLAN  
SCALE: 1/4" = 1'-0"

UNIT 'A'  
ROOF BEAM PLAN  
SCALE: 1/4" = 1'-0"

**APPROVED FOR CONSTRUCTION 10-21-22**  
Robert Ussery Architect

1 REVISIONS 09-20-22

REFER TO PRODUCT INSTALLATION GUIDES FOR GENERAL INFORMATION

**IMPORTANT - PLEASE READ FIRST!**  
THESE LAYOUT PLANS ARE PROVIDED STRICTLY TO AID IN THE PLACEMENT OF PRODUCTS SUPPLIED BY EAST COAST STRUCTURES. PRODUCTS SPECIFIED ON THESE PLANS CAN NOT BE SUBSTITUTED AS SYSTEM FAILURE MAY RESULT. EAST COAST STRUCTURES DOES NOT ASSUME LIABILITY FOR THE ADEQUACY OF THE SUPPORTING STRUCTURE OR ANY PRODUCTS NOT SUPPLIED BY EAST COAST STRUCTURES.

DRAWING LEGEND	PRODUCT ABBREVIATIONS
	LVL DENOTES 1-3/4" 2.0E MDL LAMINATED VENEER LDR LSL DENOTES 1.55E TIMBERSTRAND LAMINATED STRAND LUMBER PSL DENOTES 2.0E PARALLAM PARALLEL STRAND LUMBER GLD DENOTES 24F-V4 5YP GULLAM BEAM
WALL BELOW BEAM OR GIRDER JOIST WALL ABOVE RIM BOARD POINT LOAD FROM ABOVE PLUMBING DROP	GENERAL NOTES 1. LENGTHS SHOWN ARE SHIPPING LENGTHS AND MUST BE TRIMMED ON JOBSITE. 2. SHIFT JOISTS 3 INCH MAX. TO AVOID PLUMBING DROPS. 3. ANY MATERIAL NOT SPECIFIED IS TO BE BY OTHERS.

DESIGN LOADS (UNLESS NOTED OTHERWISE)

STRESS	%
LIVE LOAD	P5F
PARTN LOAD	P5F
DEAD LOAD	P5F
TOTAL LOAD	P5F

JOB NAME: FIFTY OAKS - BUILDING 12  
 LOCATION: SOUTH HARRINGTON ROAD  
 TRADEMARKS ARE THE PROPERTY OF THEIR RESPECTIVE MANUFACTURERS

**ECS** EAST COAST STRUCTURES  
 BRUNSWICK, GA.  
 1-912-264-1062

DRAWN BY: RF DATE: 08-30-22 SHEET OF: 2/2